

# KING CHIN



---

## KCS-50


---

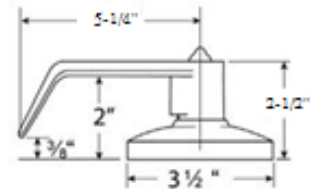
Cylindrical Lever Locks



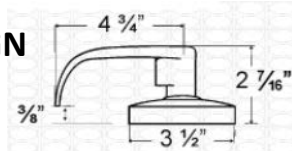
# KCS-50

## CYLINDRICAL LEVER LOCKS INSTALLATION

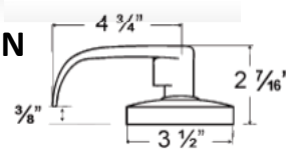
 Meets ADA requirements  
 Specially designed for  
 Barrier Free Application  
 Exceeds BHMA/ANSI A156.2  
 Series 4000, Grade 1 requirements  
 Exceeds 800,000 cycles



**KCA DESIGN**



**KCB DESIGN**



### SPECIFICATIONS

#### GENERAL

Full length 4 3/8" lever handle with 3/8" return on GN and SPA Design. Rose diameter 3". Key removable outside lever for fast rekeying. Non-handed levers. Concealed mounting screws.

#### CLUTCH

Free turning handle in the lock position without retracting the latch, to deter breaking of handle.

#### APPLICATIONS

For offices, schools, hospitals, apartments, hotel/motel, residential, commercial and public buildings.

#### DOOR RANGES

1-3/4" (44mm) thick door adjusts to 2" (51mm) standard.

#### ANSI STANDARDS

Meets or exceeds BHMA/ANSI A 156.2 Series 4000, grade 1 requirements.

#### LATCH FACEPLATE

2-3/4" (70mm) backset w/1-1/8" front (standard)  
 2-3/8" (60mm) backset w/1" wide front (specify 20-)

#### STRIKES

ASA 1 Y" x 4 Y" standard. Other strikes available upon request.

#### CYLINDER & KEYWAYS

6 pin solid brass "C" keyway standard. Schlage E, Schlage C-K, Russwin D1-2-3-4, Corbin 59/60, Corbin-Russwin L4, Sargent LA-LB-LC, Falcon/Weiser E, Arrow A, Yale 8, Yale GA and Kwikset. Can also accept Medeco, Assa, Kaba and Cal-Royal (HSK) High Security Cylinders.

#### TRIM

Thru-bolted assembly through door with separate spring cage for each lever.

#### HOUSING

Cold Rolled Steel and Zinc Dichromate finish for rust resistance with precision cast steel retractor. 2 1/8" diameter bore.

#### INTERCHANGEABLE CORE (IC)

Interchangeable Core locks will accept compatible 6 or 7 pin cores with BEST, FALCON and ARROW. Also available with SCHLAGE, CORBIN/RUSSWIN, SARGENT and YALE large format cylinders. For Schlage, Corbin/Russwin, Sargent and Yale format specifications, refer to next page.

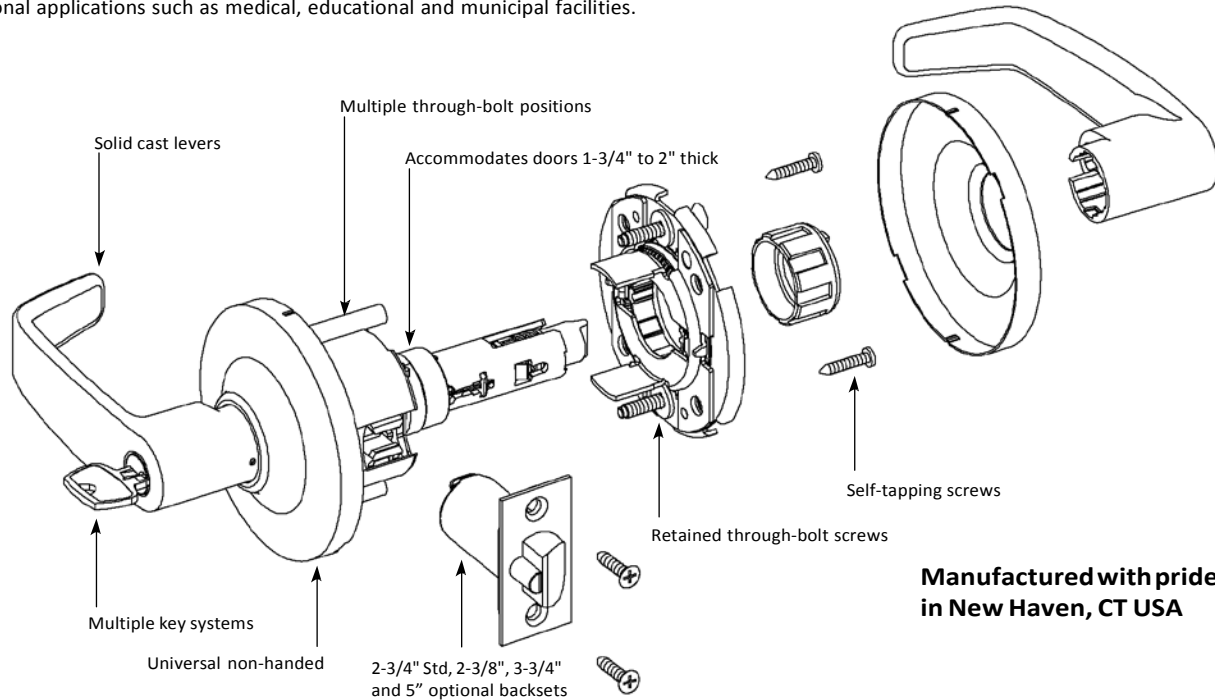
#### LATCH OPTIONS

2 1/8" standard, brass with 3/8" throw. 2", 3" and 5" backset optional. GND750 deadlatch reversible for flat and beveled door. 3/8" throw anti-friction deadlatch for pair of fire doors.

ELECTRIFIED LOCKS, TACTILE & LEAD LINING available upon request.

**Features & Benefits**

A heavy duty cylindrical key-in-lever lock designed to exceed the requirements of ANSI 156.2 Series 4000 Grade 1. The 10 Line is the standard for institutional applications such as medical, educational and municipal facilities.



**Manufactured with pride  
 in New Haven, CT USA**

**Strength, Durability and Security**

- Cycle Test: Exceeds 5 times A156.2 Grade 1 requirements
- Abusive Locked Lever Torque- without entry gained: Exceeds 1.5 times A156.2 Grade 1 requirements
- **7 YEAR LIMITED WARRANTY** – no service required to maintain warranty

**Convenience**

- Installs in 1 minute or less
- Quickly adapts to fit multiple through-bolt positions
- User friendly packaging
- User friendly instruction sheets
- Convenient installation diagram on box

**Design**

- Solid feel and precise lever action
- Slim rose design available
- Decorative Levers — Coastal Series designs – Gulfport and Yarmouth
- Levers are solid one piece cast construction, except "J" lever

**Flexibility**

- Fits a variety of door preparations with adaptable through-bolt positioning
- Accommodates retrofit applications with optional 2-3/8", 3-3/4" and 5" backset latches
- 6 ADA lever styles to complement a wide array of design applications
- Levers (B, L, J & P) are non-handed for efficient warehousing and for ease of installation
- 11 Architectural grade finishes
- 21 Functions
- SARGENT uses engineered solutions and flexible manufacturing processes to accommodate special applications

**Security**

- Torx® and spanner screws optional
- Classroom security and multiple locking functions available
- Vandal resistant trim optional (FW- option)
- Security key systems available (Signature, Keso, BR-XC, XC)

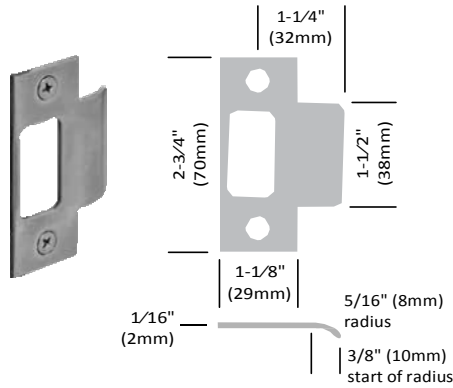
**Applications**

- Designed to conform to national & state fire and handicapped requirements
- Grade 1 Lock
- Heavy duty commercial and institutional interior and exterior doors
- Offices
- Schools/Universities
- Hospitals
- Manufacturing facilities

# Strikes

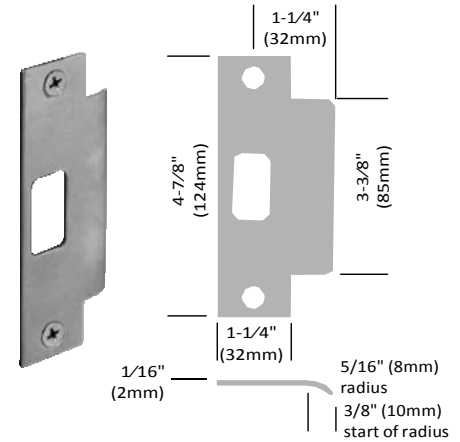
## KCS-50 Cylindrical Lever

### 2-3/4" Curved Lip Strike – Standard



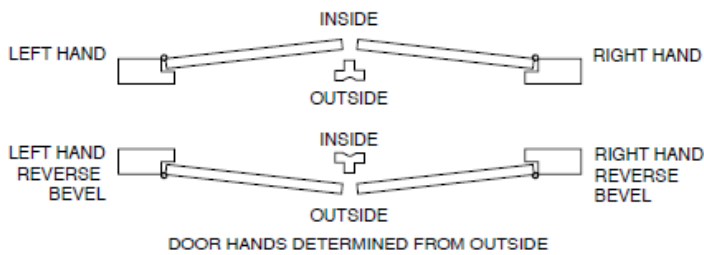
- Furnished standard with 1-1/4" (32mm) curved lip from center of strike screw holes to end of lip
- Lip lengths 7/8" (22mm), 1" (25mm), 1-1/4" (32mm) standard, 1-1/2" (38mm), 1-3/4" (44mm) and 2" (51mm)
- To order strike separately, specify 800 strike x finish x lip length

### 4-7/8" Curved Lip Strike: (28-Option)



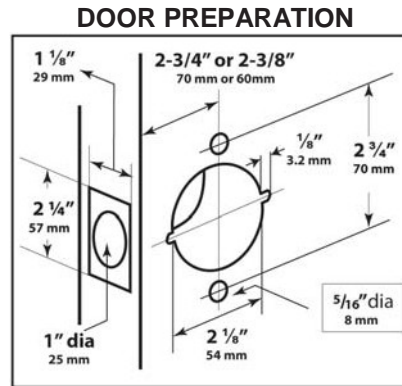
- Conforms to ANSI standard
- Furnished standard with curved lip 1-1/4" (32mm) from center of strike screw holes to end of lip
- Lip lengths 7/8" (22mm), 1-1/8" (29mm), 1-1/4" (32mm), 1-3/8" (35mm), 1-5/8" (42mm), 1-7/8" (48mm), 2-1/8" (54mm), 2-3/8" (60mm), 2-5/8" (66mm), 2-7/8" (73mm)
- To order strike separately, specify 808 strike x finish x lip length

## Hand

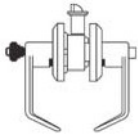


FINISHES AVAILABLE		
BHMA SYMBOL	US CODE	DESCRIPTION
605	US3	Polished Brass
606	US4	Satin Brass
609	US5	Antique Brass
612	US10	Satin Bronze
613	US10B	Oil Rubbed Bronze
619	US15	Satin Nickel
625	US26	Polished Chrome
626	US260	Satin Chrome

Refer to price list for stock finishes and functions

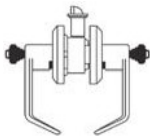


**KCS50**  
**ICKCS50**  
ANSI: F109  
FED#161A



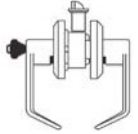
**ENTRANCE/OFFICE LOCK**  
Turn/Push button locking. Pushing and turning button locks outside lever requiring use of key until button is manually unlocked. Pushing button locks outside lever until unlocked with key or inside lever is turned.

**KCS66**  
**ICKCS66**  
ANSI: F91  
FED#161G



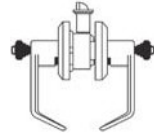
**STORELOCK**  
Oead locking latch bolt operated by lever from either side, except when both levers are locked by key in lever from either side.

**KCS70**  
**ICCKCS70**  
ANSI: F84  
FED#161R



**CLASSROOM**  
Oead locking latch bolt operated by lever from either side except when outside lever is locked from outside by key. When outside lever is locked, latch bolt is operated by turning inside lever.

**KCS72**  
**ICKCS72**  
ANSI: F80  
FED#161S



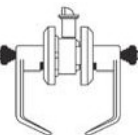
**COMMUNICATING**  
Oead locking latch bolt operated by lever from either side. Turning key in either lever locks or unlocks its own lever independently.

**KCS80**  
**ICKCS80**  
ANSI: F86  
FED#161D



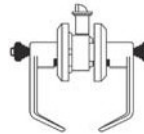
**STOREROOM**  
Oead locking latch bolt operated by key in outside lever or by rotating inside lever. Outside lever is always fixed.

**KCS60**  
**ICKCS60**  
ANSI: F88  
FED#161C



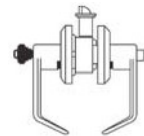
**VESTIBULE**  
Oead locking latch bolt operated by lever from either side except when outside lever is locked by key from inside. Latch bolt may be retracted by key in outside lever or by rotating inside lever.

**KCS82**  
**ICKCS82**  
ANSI: F87  
FED#161W



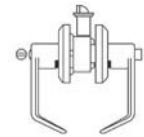
**INSTITUTION**  
Oead locking latch bolt operated by key in lever from either side. Both lever always fixed.

**KCS73**  
**ICKCS73**  
ANSI: F90  
FED#161T



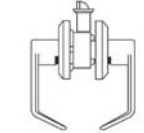
**DORMITORY**  
Oead locking latch bolt operated by lever from either side except when outside lever is locked by key or by push button on inside lever. Key in outside lever locks or unlocks outside lever. Outside key releases push button when locked from inside. Rotating inside lever or closing the door releases push button.

**KCS40**  
ANSI: F76  
FED#161L



**PRIVACY LOCK**  
Latch bolt operated by lever from either side. Outside lever is locked by push button inside and unlocked by emergency release outside. Turning inside lever or closing door releases push button.

**KCS10**  
ANSI: F75  
FED#161N



**PASSAGE SET**  
Latch bolt operated by lever from either side at all times.

**KCS170**



**DUMMY LEVER**  
Single dummy trim for one side of door. Pull only.