

# KING CHIN



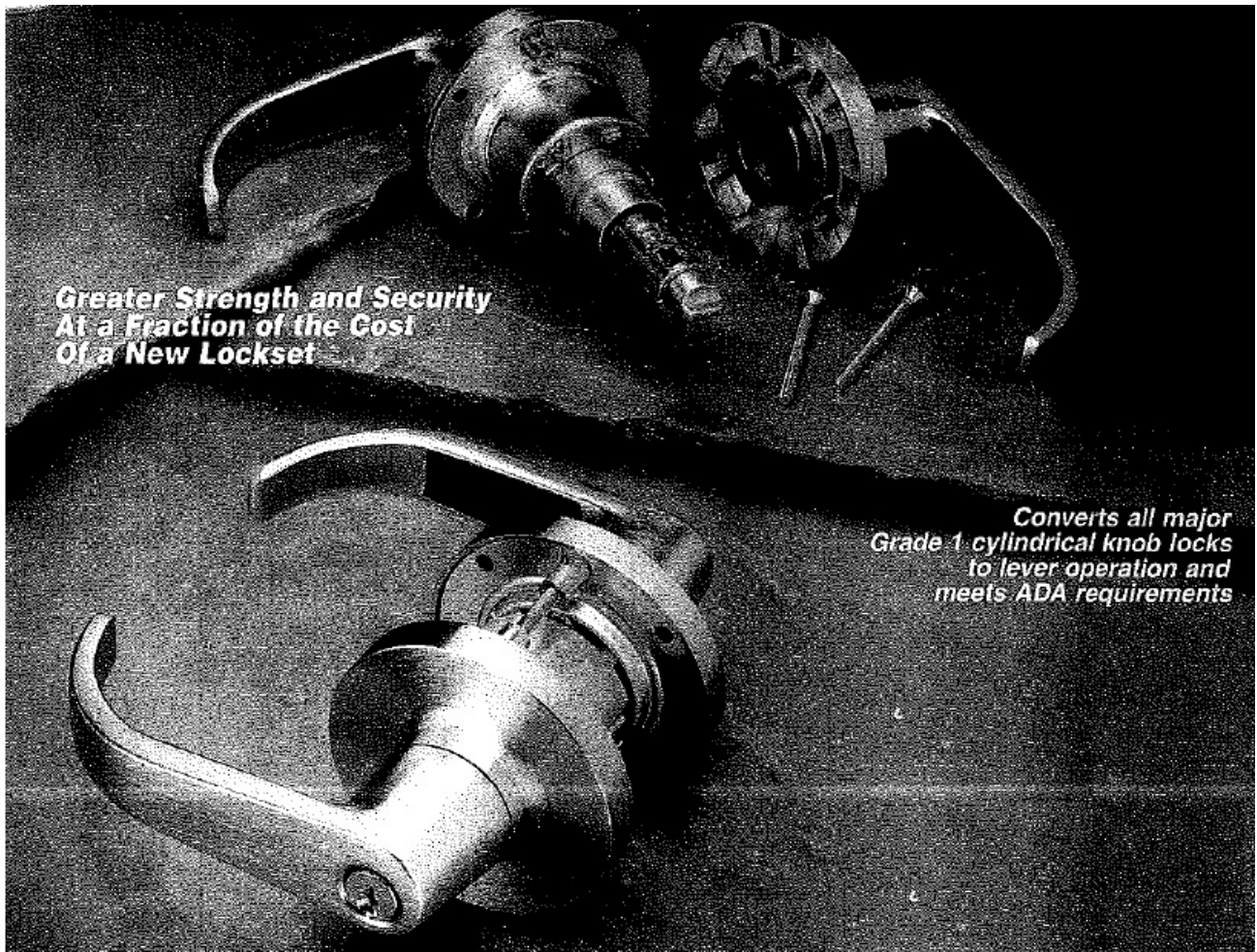
---

## KCL-50

---

Cylindrical Lever Locks





**KCL-50** converts cylindrical knobs to levers in a way that completely isolates the inner workings of the original lockset, making it stronger and more secure. As a result, it resists wrenching crow barring and other destructive forces far better than any lockset on the market. And because **KCL-50** utilizes the existing cylinder, lock body, latchbolt and strike, the conversion is quick and easy - for considerably less than the cost of a new lockset.

**Increased Security . Increased Strength . Increased Li-**

KING CHIN



## KCL-50 CYLINDRICAL LOCKSETS

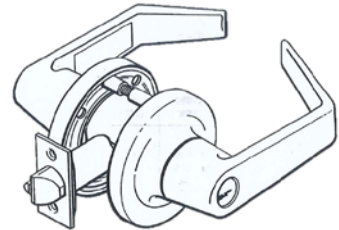
ANSI A156.2-4000 Grade 1 & 2

### KCL-50



#### CYLINDERS

- Regular
- IC-Removable Core
- High Security




**MADE IN TAIWAN**

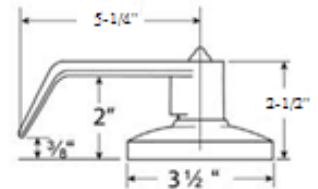
**Increased Security • Increased Strength • Increased Lifespan**



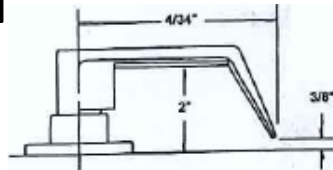
# KCL-50

## CYLINDRICAL LEVER LOCKS INSTALLATION

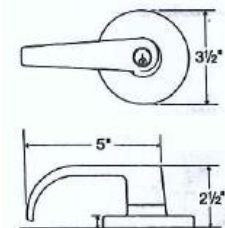
 Meets ADA requirements  
Specially designed for  
Barrier Free Application  
Exceeds BHMA/ANSI A156.2  
Series 4000, Grade 1 requirements  
Exceeds 800,000 cycles



**KCL-50 DESIGN**



**KCL-30 DESIGN**



### SPECIFICATIONS

#### GENERAL

Full length 4 7/8" lever handle with 1/2" return on GN and SPA Design. Rose diameter 3". Key removable outside lever for fast rekeying. Non-handed levers. Concealed mounting screws.

#### CLUTCH

Free turning handle in the lock position without retracting the latch, to deter breaking of handle.

#### APPLICATIONS

For offices, schools, hospitals, apartments, hotel/motel, residential, commercial and public buildings.

#### DOOR RANGES

1-3/4" (44mm) thick door adjusts to 2" (51mm) standard.

#### ANSI STANDARDS

Meets or exceeds BHMA/ANSI A 156.2 Series 4000, grade 1 requirements.

#### LATCH FACEPLATE

2-3/4" (70mm) backset w/1-1/8" front (standard)  
2-3/8" (60mm) backset w/1" wide front (specify 20-)

#### STRIKES

ASA 1 Y" x 4 Y" standard. Other strikes available upon request.

#### CYLINDER & KEYWAYS

6 pin solid brass "C" keyway standard. Schlage E, Schlage C-K, Russwin D1-2-3-4, Corbin 59/60, Corbin-Russwin L4, Sargent LA-LB-LC, Falcon/Weiser E, Arrow A, Yale 8, Yale GA and Kwikset. Can also accept Medeco, Assa, Kaba and Cal-Royal (HSK) High Security Cylinders.

#### TRIM

Thru-bolted assembly through door with separate spring cage for each lever.

#### HOUSING

Cold Rolled Steel and Zinc Dichromate finish for rust resistance with precision cast steel retractor. 2 1/8" diameter bore.

#### INTERCHANGEABLE CORE (IC)

Interchangeable Core locks will accept compatible 6 or 7 pin cores with BEST, FALCON and ARROW. Also available with SCHLAGE, CORBIN/RUSSWIN, SARGENT and YALE large format cylinders. For Schlage, Corbin/Russwin, Sargent and Yale format specifications, refer to next page.

#### LATCH OPTIONS

2 1/8" standard, brass with 1/2" throw. 2 1/8", 3 1/8" and 5" backset optional. GND750 deadlatch reversible for flat and beveled door. 1/2" throw anti-friction deadlatch for pair of fire doors.

**ELECTRIFIED LOCKS, TACTILE & LEAD LINING** available upon request.

## KCL-50 ● Offers unlimited Strength Factors

### KCL-50 Offers Superior Security

In the early 1930's security was not like that needed in the 1990's. If it were, W.R. Schlage would not have constructed a cylindrical lockset in the way he did. He would not have designed it in the fashion that allows intruders to gain easy access by wrenching or by employing other direct torquing methods.

By wrenching or "Crow Barring", the knob or lever can be easily ripped loose from the lock or spin-dle spring clip (retainer clip) which holds all other makes and models of cylindrical lockset knobs and levers to lock spindles. Once the lever is torn from the lock, the door can be easily and quickly opened by any intruder with a simple screwdriver plate which can then retract the latch bolt. (Similar to the way it is done by the cylinder tail piece in any grade cylindrical lockset.)

**KCL-50** is a extra heavy duty cylindrical lockset which complies with ANSI Grade-1 which protects against this wrenching and crow barring far better than any lockset on the market today. **KCL-50**, with its unique design, is completely disengaged from the lockset. And unlike every other lockset on the market. **KCL-50** does not use the lock spindle spring retainer pin to lock the lever to the lockset. Moreover, the cylinder used in **KCL-50** is nei-ther accessible or removable from the outside of the lock, since it is completely encased inside a massive cast lever handle. All this works to substantially reduce the risk of intruders gaining access through wrenching or crow barring or via the exposed spring retainer pin hole. **KCL-50** has no hole in which to access the cylinder from the outside.

### KCL-50 thru-bolt integrated lever rose or escutcheon assembly will resist:

#### WRENCHING

**KCL-50** has been proven to withstand approximately **1,980 lbf-in** of force. for Grade 1 and **1050 lbf-in** for Grade 2. Before the locking mechanism was overpowered. This is equivalent to 185 lbs. of real force applied using a 12" pipe wrench. Compare this with ANSI Grade 1 spec of **450 lbf-in**, and **225 lbf-in** for grade 2.

#### CROW BARRING FORWARD

When crowbarring the lever forward away from the door on a horizontal plane, **KCL-50** will withstand approximately **1,350 lbs.** of force for both Ansi 1 and Ansi 2. Compare this with the Federal Spec for ANSI Grade 1 lever lock of **500 lbs.** of force and **300 lbs.** for Grade 2. (ANSI/BHMA cylindrical lock spec strength test 9.2.2).

#### CROW BARRING DOWNWARD

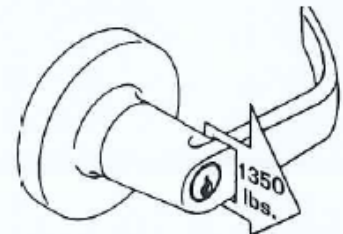
When crowbarring the lever downward in a vertical direction, **KCL-50** will withstand more than **1,800 lbs.** of force for both Ansi 1 and Ansi 2. This is approximately four times the Federal Spec. Level (Test 9.2.2). Compare this with ANSI Grade 1 spec of **360 lbf-in**, and **250 lbf** or Grade 2.

Ask any other manufacturer whether they can come close to matching these results! The conclusion is clear...no other brand of cylindrical lock offers anywhere near the level of security that **KCL-50** does.

### The Protector Greatly Exceeds ANSI Specifications



**The Protector: 1,980 lbf-in**  
**ANSI Grade 1: Only 450 lbf-in**

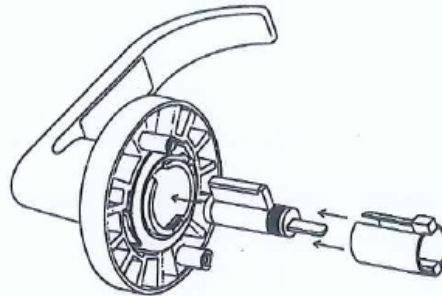
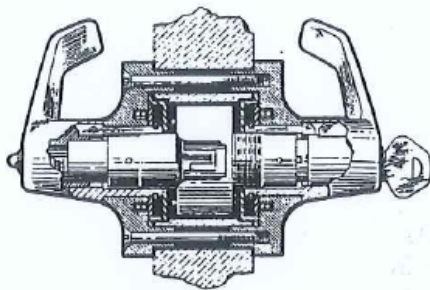


**The Protector: 1,350 lbf-in**  
**ANSI Grade 1: Only 500 lbf-in**



**The Protector: 1,800 lbf-in**  
**ANSI Grade 1: Only 360 lbf-in**

# Lever Handle Cylindrical lockset



## INCREASED SECURITY AND STRENGTH

Greater strength means greater security unequalled by any other brand of cylindrical locks. **KCL-50** shields the internal mechanism of the lock with a double-studded thru-bolted integrated assembly, massive bearing surfaces, extra strong positive stops and other rugged features. This design greatly reduces any detrimental affect the increased pressure created by a lever may have on the lock. In fact, **KCL-50** will resist forced entry more effectively than any other cylindrical knob or lever lock design. **KCL-50** is completely disengaged from the lock spindle and does not depend on a retainer pin to hold the lever to the lock. This one feature alone makes **KCL-50** stronger than conventional cylindrical locks.

## INCREASED LIFESPAN

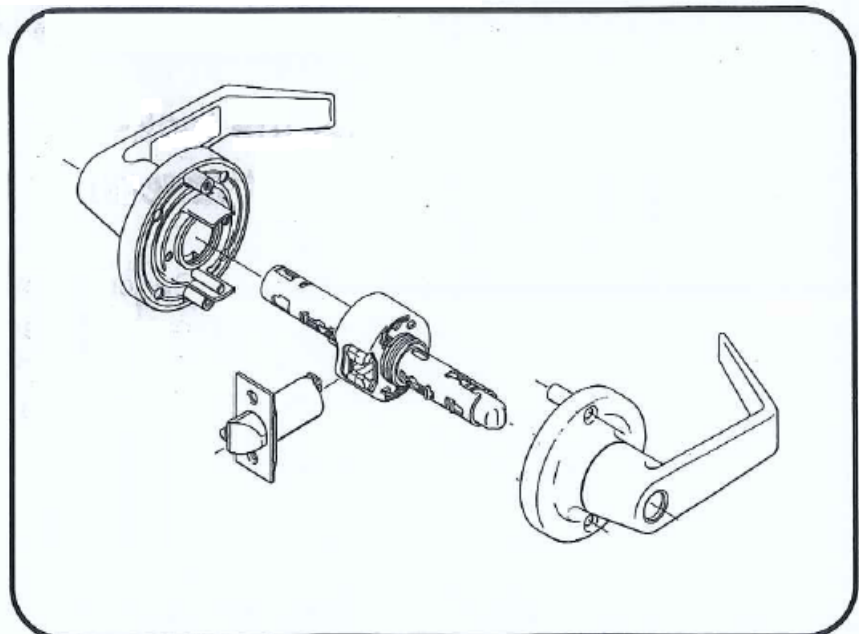
The same design that makes **KCL-50** more secure also gives you a lock system with a longer lifespan.

Since the lock operating mechanism "flats" within **KCL-50** encasing parts, "uneven twisting and wobbling" are eliminated. The parts move more smoothly and experience less wear and tear. Locks operate more efficiently and enjoy a longer lifespan.

## EXCELLENT HEAVY DUTY CYLINDRICAL LOCKING SYSTEM

**KCL-50** has an excellent quality ANSI Grade 1 heavy duty cylindrical locking system available in a commercial functions.

The locking unit has stainless steel spindles and a stainless steel locking cam system to insure maximum strength factors and efficient operations.

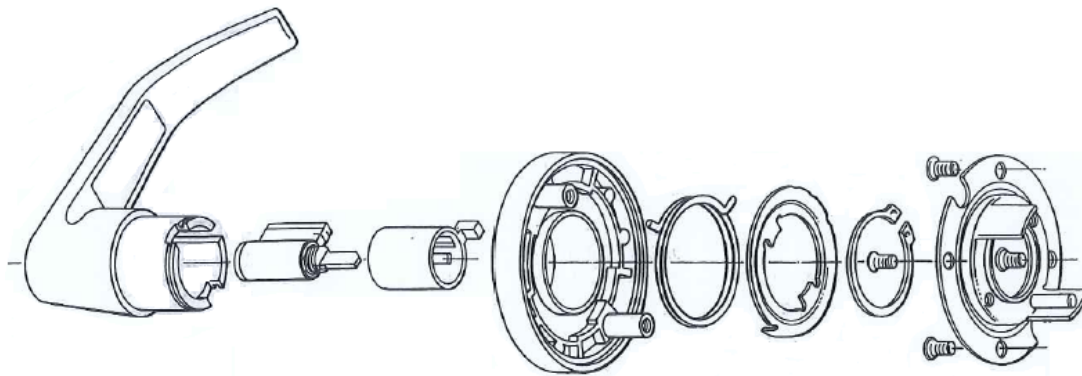


KING CHIN



## KCL-50 ● A Grade 1 & 2 Lever Handle Cylindrical Lockset

THIS SAME HEAVY DUTY  
INTEGATED LEVER ROSE SUPPLIED  
WITH BOTH ANSI 1 & ANSI 2 LOCKSETS



### The Cylindrical Lock Was Never Designed For Lever Handle Use...Until Now!

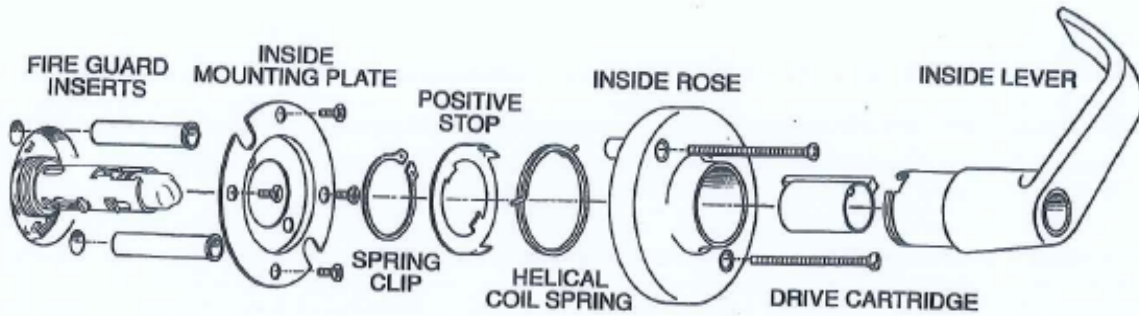
**KCL-50 shields the locks internal mechanism from  
the external forces that could tear it apart...**

King Chin has developed **KCL-50**, a unique patented construction cylindrical lever lock series in a way that completely isolates the basic lock itself, thus eliminating external destructive forces. By encasing the cylinder and lock body with a self-contained integrated lever/rose assembly, **KCL-50** created a lock stronger than all others and this strength leads to a longer operational life and increased security.

Cylindrical locksets were never designed to withstand the external stress a lever applies to the lock mechanism. **KCL-50** changes all that. Through its patented design, **KCL-50** shields the lock against damage, and more importantly, the breach of security resulting from a lock which has been torn apart by excessive force. Best of all, you enjoy all these benefits at far less cost

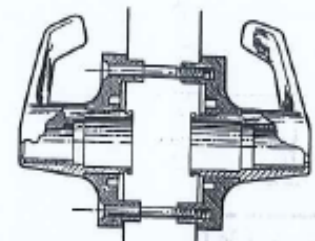


**KCL-50 is Superior By Design**

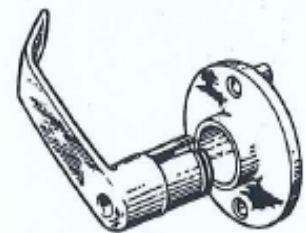


**The Unique Benefits of KCL-50**

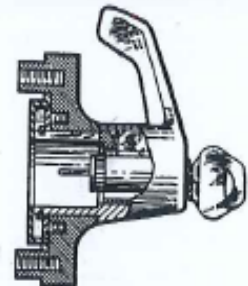
- Protects against damage due to increased stress and pressure from lever activation
- 3 times the ANSI standard for horizontal pull forces for Grade 1 locks, 4-1/2" times for Grade 2
- 5 times the ANSI standard for vertical load for grade 1 locks, 7 times for Grade 2
- Cylinder is encased by lever, eliminating access from the outside for greater security
- Resists crow barring and wrenching of locks
- Rugged design
- Lock unit is free floating, integrated lever rose assemblies are not engaged to lock itself
- Long precision shaft bearing surfaces at rear end of heavy cast levers and inside heavy case roses extends lifespan of lock
- Complies fully with all handicap codes and is ADA compliant
- Available with 22 different popular commercial keyways and permits retrofitting many restricted keyways
- Also available with 1C-removable core cylinders interchangeable with Best, Arrow, Falcon, Medeco, Kaba
- Sturdy thru-bolted lever rose assemblies with cast thru bolting studs on both roses guarantees perfect lock alignment



**2 Cast Sturdy Thru-Bolts And Studs**



**Long Precision Shaft Bearing Surfaces**



**Integrated Lever/Rose Assembly Eliminates all Horizontal and Vertical Force Load from Lock Itself**



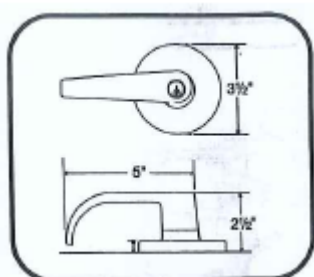
# KING CHIN



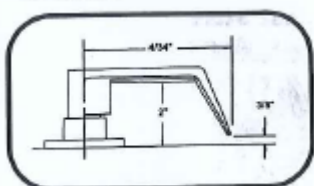
The ruggedly handsome design will enhance the appearance of your existing door hardware. The lever/rose integrated assembly is made to resist "crow barring and wrenching" of the lock, reducing the occurrence of forced entry. Your security is thus maintained.

HIGH SECURITY CYLINDERS						IC CORE CYLINDERS		
<b>MEDECO</b> 		 SEGAL 06	 KWIKSET 12	 WEISER FALCON 13	 DEXTER 32	 LORI 92 SAME AS EAGLE 1182B & HARLOC 750	 YALE 6 05	<b>6 PIN</b> 
<b>KABA GEMINI LEVEL 1</b> 		 SCHLAGE "C" 94	 LOCKWOOD 1004 08	 ELCO 1054K 09	 ARROW 15	 RUSSWIN 581752 11	 CORBIN 53 29	<b>7 PIN</b> 
		 RUSSWIN D-1 33	 YALE 6 (6 pin) 4175 Cyl. Only	 SEGAL 9 27	 SCHLAGE C 5111 K 28	 SARGENT LA 1111 LO (6 pin only) 36	 SCHLAGE 6 34	

## General Specifications

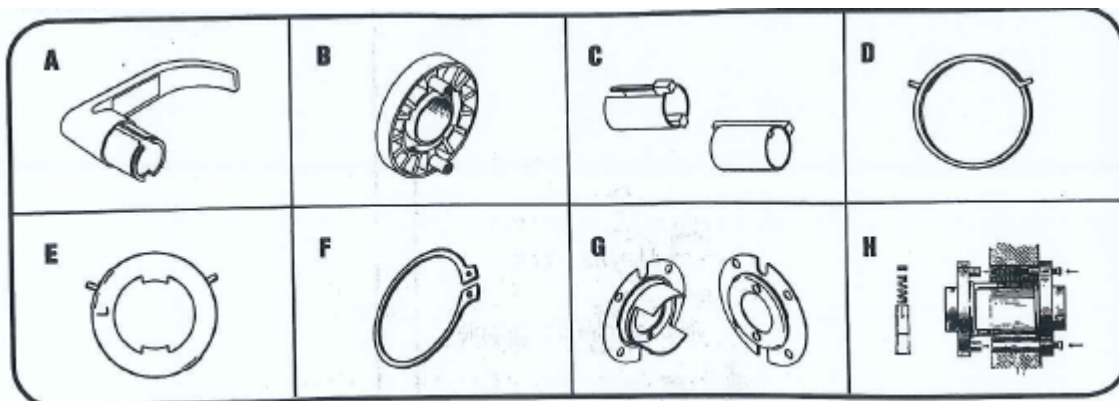


EC-ECLIPSE DESIGN KCL-30



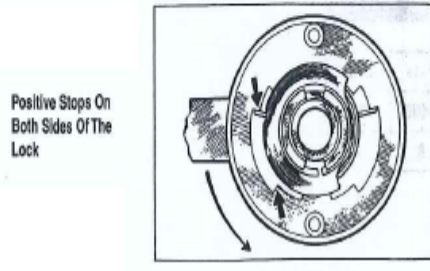
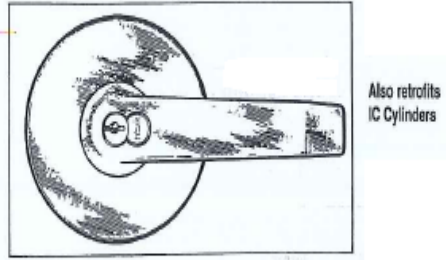
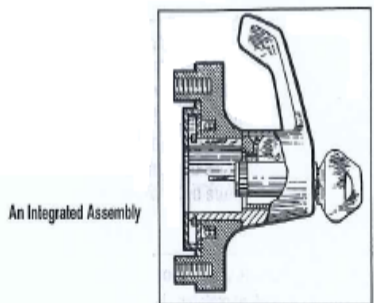
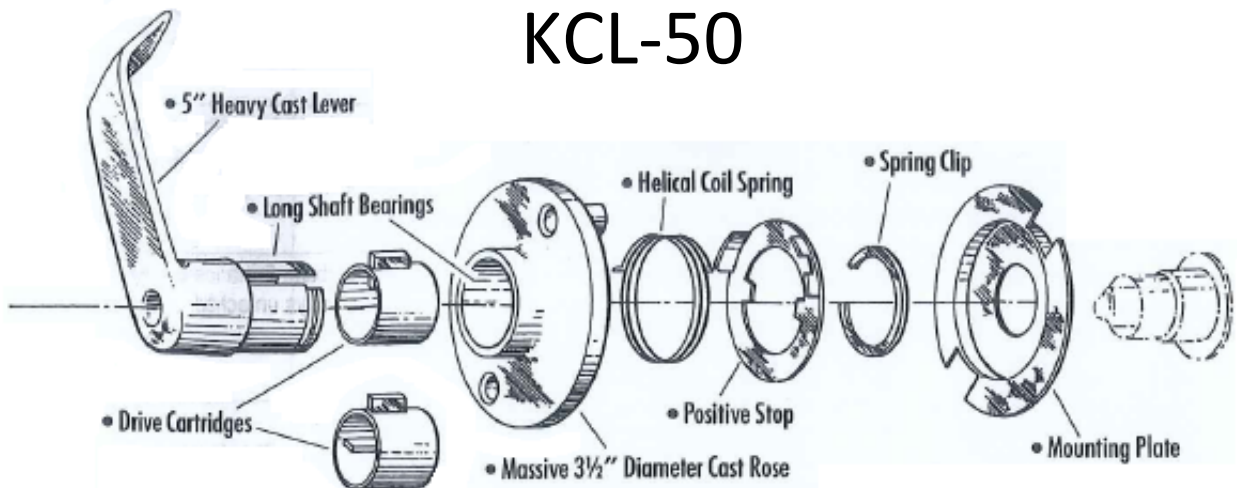
SA-SATURN DESIGN KCL-50

- |                        |                             |
|------------------------|-----------------------------|
| A Levers               | 5" Heavy Cast Zinc          |
| B Roses                | 3.5" Heavy Cast Zinc        |
| C Drive Cartridges     | Steel or Pressure Cast Zinc |
| D Helical Coil Springs | Tempered Steel              |
| E Positive Stops       | Stamped Steel               |
| F Spring Clips         | Tempered Steel              |
| G Mounting Plates      | Zinc Plated Stamped Steel   |
| ●ANSI                  | Listed locks                |
|                        | Compliance with ANSI        |
|                        | Grade 1 & 2                 |



**Strengthen Your Lock ,Extend Its Lifespan  
& Comply With ADA...**

**KCL-50**



**We've Taken A60 Year Old Design Into The 21st Century.**

When W.R. Schlage invented the cylindrical lockset in 1932, he never intended it to be operated with levers. The destructive forces created by the additional leverage would tear the lockset apart.

But that isn't a problem any longer. Advanced Hardware Technologies has developed **KCL-50** a unique, cost-effective solution for complying with the Americans with Disabilities Act of 1990. The Protector is the only solution that converts cylindrical lockset knobs to levers in a way that completely isolates the inner workings of the original lockset, thus eliminating all external destructive forces. By encasing the original cylinder and lock body within a specially constructed integrated assembly, The Protector renders the lock stronger than before, and that strength leads to a longer operational life.

**Save Most Of Your Current Lock & Save Money.**

The Protector utilizes the existing cylinder, lock body, latchbolt and strike. That means you won't have to re-key, a major expense and headache. It also

means the conversion can be made quickly and easily.

**You Lock Will Perform Better Than Other ANSI Grade 1 Or 2 Locks.**

The Protector's special integrated assembly totally eliminates all torque pressure on the internal parts of the cylindrical lockset with positive stops built into the lever roses and escutcheon assemblies. That means the lever stops rotating when the latchbolt is fully retracted and the internal mechanism is not subjected to any destructive forces. The long lever shaft and bearing surface inside the rose eliminates all forces on the lock spindles. In addition, strong helical coil springs in the roses and escutcheons prevent the levers from sagging.

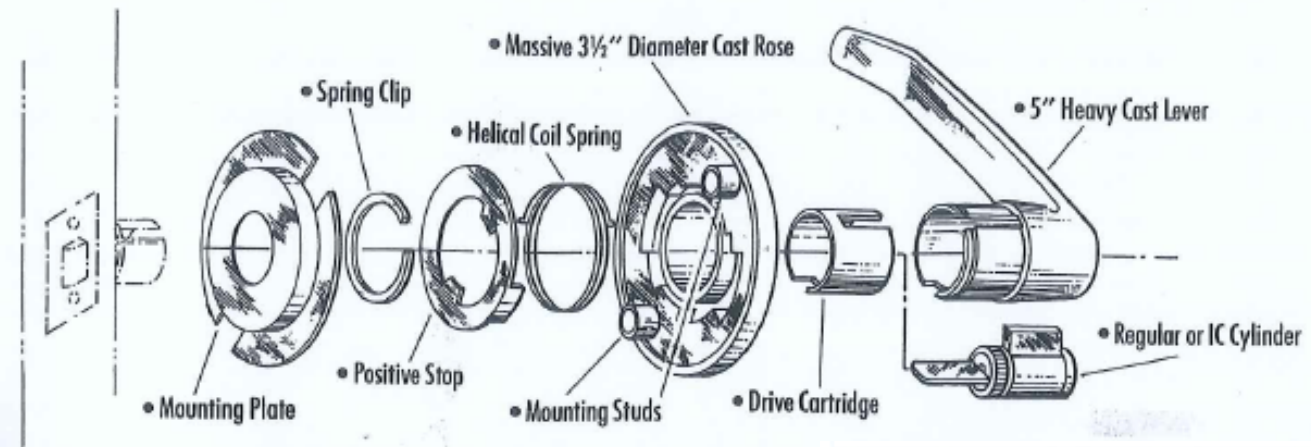
The Protector has also completely eliminated any need for troublesome compensating screw roses which means it is the only lever-operated cylindrical lockset that can offer either a rose or an escutcheon.

Finally, the through-bolted mounting studs in the roses and escutcheons completely prevent lever torque from rotating the lockset which will cause the latchbolt to stick, another cause of lock breakage.

# KING CHIN



## ...At A Fraction Of The Cost Of A Full Lockset!



### An Inaccessible Cylinder Is A Safe Cylinder.

With KCL-50 the cylinder is completely encased in the massive cast lever by inserting it through the inside lever shaft. This provides a greater level of security by preventing the cylinder from being removed by outside access.

In addition, by completely deactivating both spindle latches via our unique design, it is impossible for the levers to be pulled loose from the lock spindles.

### Say Goodbye To "Shake, Rattle & Roll"

Locksets converted to levers by The Protector even feel more solid. Since the lever integrates into the rose or escucheon with precision machining, similar to a machine bearing there is no longer any lateral or vertical rattle present in typical knob and lever systems. This "play," which can be as much as 1/8", is annoying, contributes to unnecessary wear on the lockset, and shortens the lock's lifespan. The Protector eliminates the problem completely.

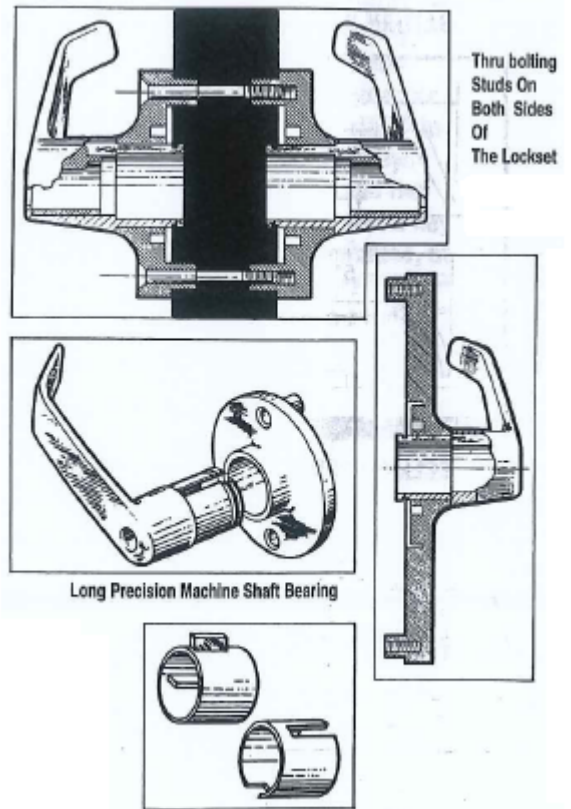
### We Know Which End Is Up.

While existing cylindrical locksets operated by levers place the cylinder in a horizontal position, The Protector positions it vertically where it belongs.

Cylinders were designed to operate with gravity acting parallel to the pins. The Protector ensures that your cylinders will operate more freely and experience less wear. And with our unique series of drive cartridges, The Protector can be adopted to operate almost any regular or IC cylinder cylindrical lockset.

### KCL-50: The Solution You've Been Looking For.

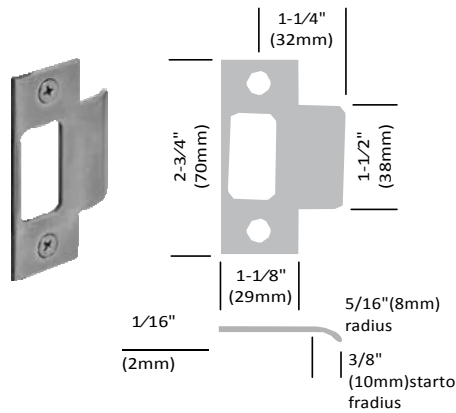
When you consider all the advantages The Protector offers, it would make sense to convert to levers even if there were no ADA. Safeguard your lock system investment with KCL-50 A Unique Lever Handle Conversion Kit.



# Strikes

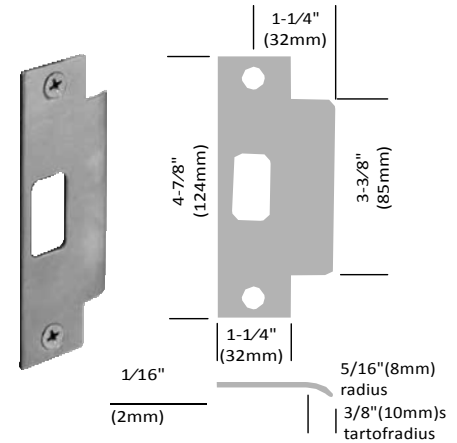
## KCL-50 Cylindrical Lever

### 2-3/4" Curved Lip Strike - Standard



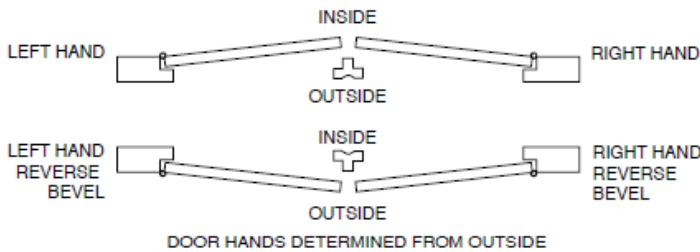
- Furnished standard with 1-1/4" (32mm) curved lip from center of strike screw holes to end of lip
- Lip lengths 7/8" (22mm), 1" (25mm), 1-1/4" (32mm) standard, 1-1/2" (38mm), 1-3/4" (44mm) and 2" (51mm)
- To order strikes separately, specify 800 strike finish x lip length

### 4-7/8" Curved Lip Strike: (28-Option)



- Conform to ANSI standard
- Furnished standard with curved lip 1-1/4" (32mm) from center of strike screw hole to end of lip
- Lip lengths 7/8" (22mm), 1-1/8" (29mm), 1-1/4" (32mm), 1-3/8" (35mm), 1-5/8" (42mm), 1-7/8" (48mm), 2-1/8" (54mm), 2-3/8" (60mm), 2-5/8" (66mm), 2-7/8" (73mm)
- To order strikes separately, specify 808 strike finish x lip length

## Hand

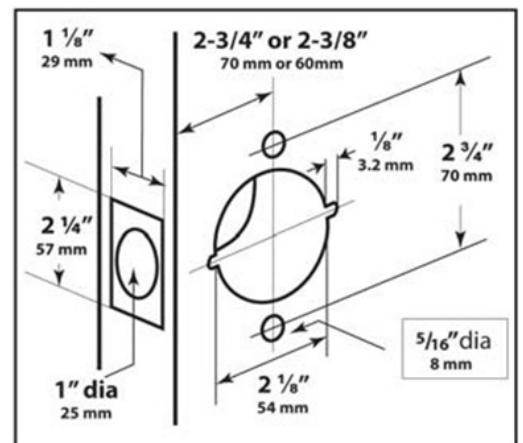


## KCL-50 SERIES FINISHES AND FUNCTIONS

FINISHES AVAILABLE		
BHMA SYMBOL	US CODE	DESCRIPTION
605	US3	Polished Brass
606	US4	Satin Brass
609	US5	Antique Brass
612	US10	Satin Bronze
613	US10B	Oil Rubbed Bronze
619	US15	Satin Nickel
625	US26	Polished Chrome
626	US260	Satin Chrome

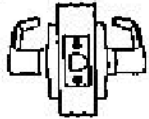
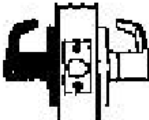
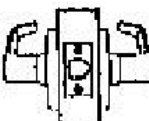

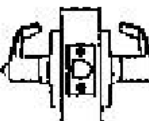

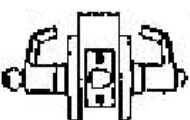
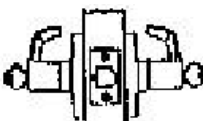
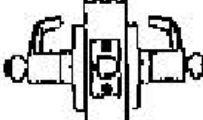
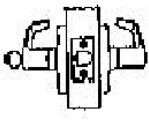
Refer to price list for stock finishes and functions.

### DOOR PREPARATION

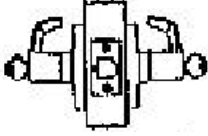
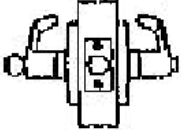
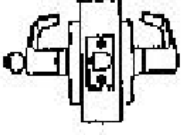









### Commercial Lockset Function

Function	Function No.	Outside	Inside	Function Description
Passage	10			Both levers always unlocked.
Exit	12			Unlocked by lever inside only.
Patio	30			Turning inside lever or closing door releases button, preventing lock-out.
Privacy	40			Can be opened from outside with small screwdriver. Turning inside lever or closing door releases button.
Hospital Privacy	44			Unlock from outside using emergency turn button. Turning inside lever or closing door releases button.
Entrance/ Office	50			Push button locks outside lever until unlocked by key or by rotating inside lever.
Entrance	53			Pushing and turning button locks outside lever requiring use of key until button is manually unlocked.
Vestibule	60			Unlocked by key from outside when outside lever is locked by key in inside lever. Inside lever is always unlocked.
Store	66			Key in either lever locks or unlocks both levers.
Classroom	70			Outside lever locked and unlocked by key

### Commercial Lockset Function

Function	Function No.	Outside	Inside	Function Description
Communicating	72			Key in either lever locks or unlocks each lever independently.
Corridor	73			Locked or unlocked by key from outside. Push button locking from inside. Turning inside lever or closing door releases button.
Classroom Holdback	76			Outside lever locked or unlocked by key. Inside lever always unlocked. Latch may be locked in the retracted position.
Storeroom	80			Outside lever fixed. Entrance by Key only. Inside lever always unlocked.
Institution	82			Both levers fixed. Entrance by key in either lever.
Hotel/Motel	85			Outside lever fixed. Entrance by key only. Push button in inside lever activates visual occupancy indicator allowing only emergency masterkey to operate. Rotating inside lever or closing door releases visual occupancy indicator. Rotation of inside spanner button provides lockout feature by keeping indicator thrown.
1/2 Dummy Trim	170			Fixed dummy trim for one side of door only.
Full Dummy Trim	172			Fixed dummy trim for both sides of door.